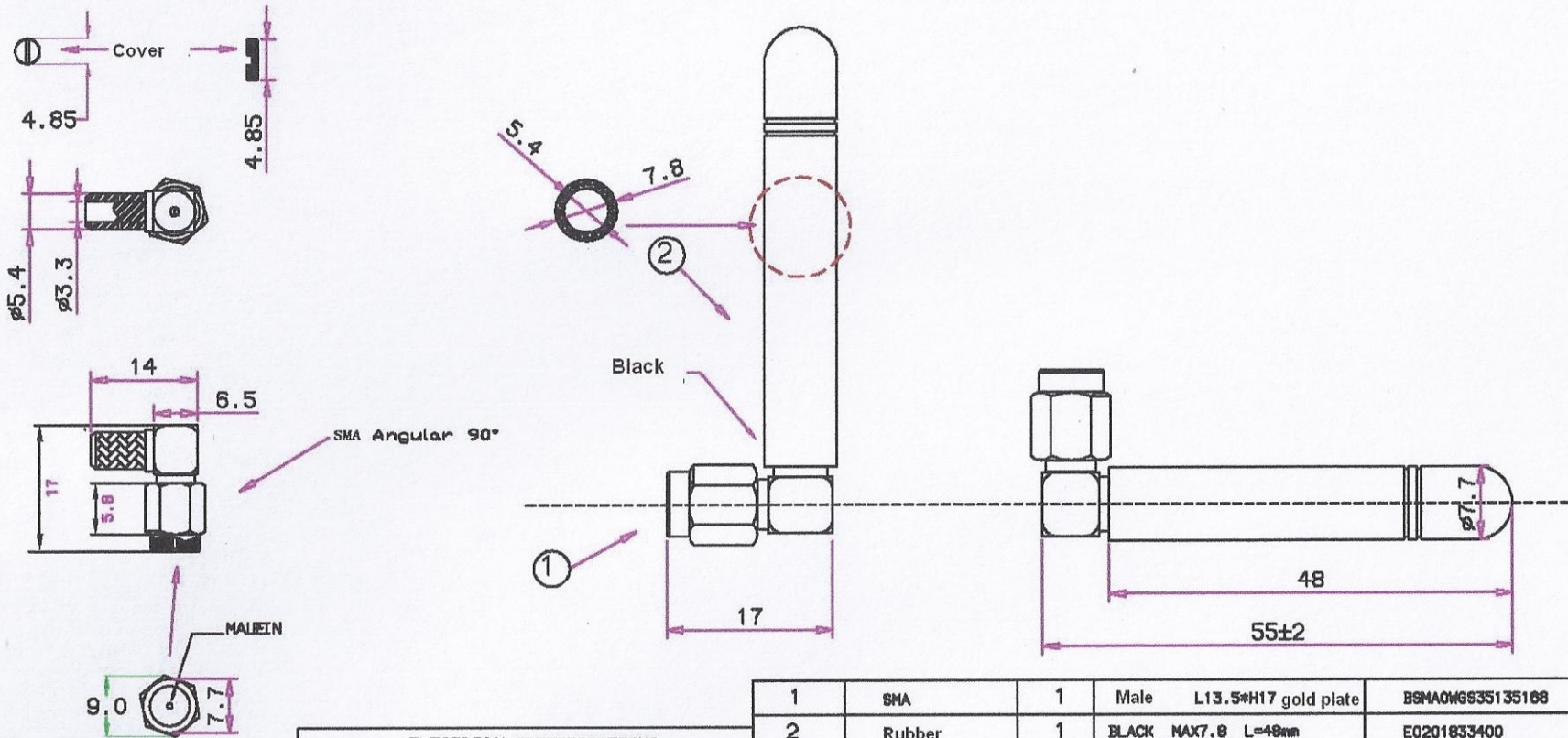


RoHS Compliant



ELECTRICAL SPECIFICATIONS	
Product Type	900-1800 Rubber antenna
model Type	KT-009
Frequency Range	900-1800MHz
Impedance	50 OHM
VSWR	<2.0
Gain	2.15DBi
Polarization	Vertical
Radiation	Omni-directional
Max power	50W

MECHANICAL SPECIFICATIONS	
Product Type	900-1800橡胶天线
model Type	FYX-XJ-900/1800W
Height	55mm
Max diameter	φ9.0mm
Min diameter	φ7.7mm
Connector	SMA(M) Right Angle
Lighting protection	DC

ITEM	COMPONENT	Q'TY	DESCRIPTION	LIGHTTEKP/N
1	SMA	1	Male L13.5*H17 gold plate	B9MA0M6935135168
2	Rubber	1	BLACK MAX7.8 L=48mm	E0201833400
3	Spring	1	900/1800MHZ	BTS0000003578020
4	Brass wire	1	900/1800MHZ	D0101201500

零件名称 (PART NAME) 部品名	单位 (UNIT)	比例 (SCALE)	版本 (REV.) AD	规格 (SIZE) MM
客户编号 (CUSTOMER NO.)	产品名称 (PRODUCT NAME) 900/1800 FOR SMA			第一版日期 (ORIGINAL DATE) 2010-5-12
设计 DB	审核 CHK	批准 APPD.	AN4	